

# Koroseal Wall Protection Systems H100-Series Retrofit Handrail Components to Handrail Models 800/855 & 850 Installation Instructions

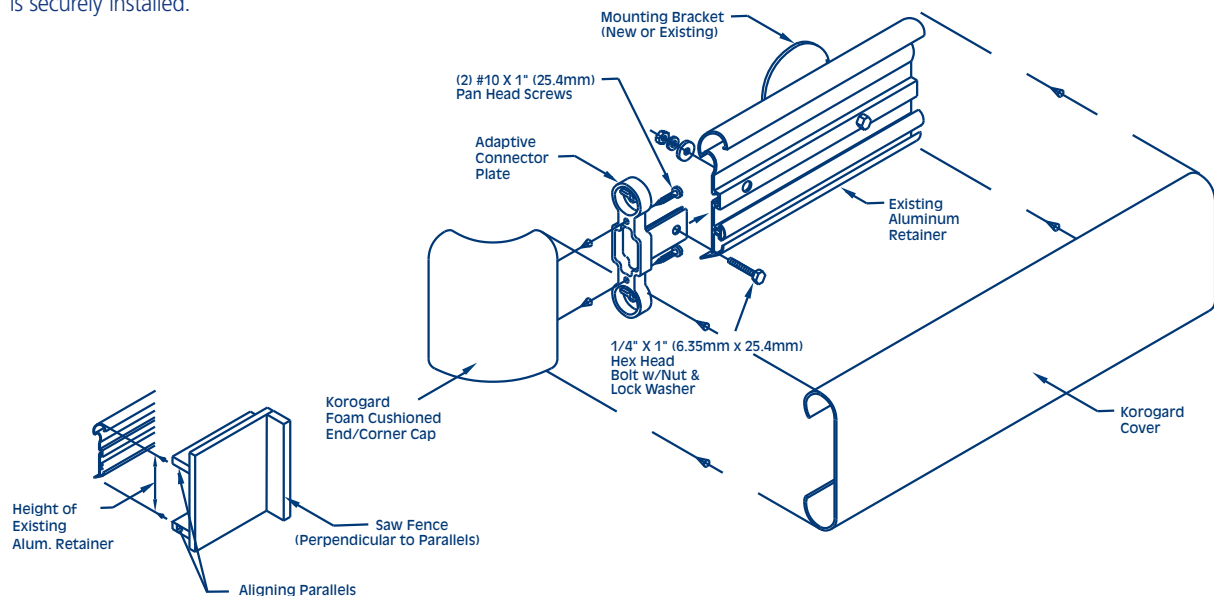
1. Locate existing handrail in accordance with the project scope of supply.
2. Lay out the material to be installed, including all component parts, along the base of the wall. Check the material for any damage that may have occurred during shipment and/or handling at the job site.
3. Dismantle and remove existing material intended to be replaced.
4. If mounting brackets are to remain and be painted a new color, do this now.
5. Where outside corner caps are to be replaced, the existing aluminum retainer will require cutting to allow the new corner cap to be installed. Remove 1/8" (3.18mm) each from the two retainer ends making sure that they are cut squarely.

**NOTE: At the end cap replacements, the overall length of the handrail will increase slightly but this should not necessitate adjustment unless interference is encountered. If so, cut retainer accordingly.**

6. Attach adaptive connector plates to end and corner caps using #10 x 1" (25.4mm) screws.
7. Pre-fit assembled end and corner caps to the existing aluminum retainer, mark and drill retainer with 9/32" (7.15mm) diameter bit, and attach caps with 1/4" x 1" (6.35mm x 25.4mm) hex head bolts, washers, lock washers, and nuts.
8. If aluminum retainer has been removed from the wall, re-mount the assembly to the wall using proper fasteners. Tighten securely.

**NOTE: Prior to installation of the KOROGARD® cover, make sure that all fasteners (new or old) are secure and properly seated.**

9. If the **KOROGARD** cover has been supplied in stock lengths, it will be necessary for it to be field-cut. Determine the distance from inside cap to inside cap. It is recommended that the **KOROGARD** cover be cut slightly oversize to provide proper alignment between the end caps.
10. Hold the **KOROGARD** cover at an angle and place the top of the cover behind the top of the retainer. Make sure that the cover is placed in the proper position and snap-fit the **KOROGARD** cover onto the aluminum retainer by placing hands downward and applying pressure with the heel of each hand and force the cover onto the retainer. Continue along until the complete length of the cover is securely installed.



## SUGGESTED RETAINER CUTTING JIG

Construct in Field to Assure  
Square Cuts—See Step No. 5



**KOROGARD®**  
WALL PROTECTION SYSTEMS

800-628-0449 • [www.korogard.com](http://www.korogard.com) • Division 10 26 00